



Flexibility to be applied on the throat of a machine for medium throughput applications

For injection molders, small extruders and central blending up to 1,430 lb/hr (650 kg/hr).

Wide range of settings

Each material is dosed by a stainless steel slide gate. The slide gate is capable of dosing a wide range of settings, from as little as 1% to 100%, based on an average density free flowing material (0.65).

400 series

Our WSB 420 is part of the 400 series and consists of 1 hopper fitted with 2 material compartments. This blender can reach up to 1,430 lb/hr (650 kg/hr).

Batch size

The hoppers are mounted above the weigh bin with a default 8.8 lb (4 kg) batch size.

High consistent accuracy

On every material within $\pm 0.1\%$ on a 1% setting.

Sequential dispensing

The system tares the weight of the weigh bin and then each material is dispensed – Re grind, Natural, Color and Additive – in sequence to ensure accurate dispenses of every material within the blend.

Homogenous mix

A complete batch is released into the mixing chamber and mixed with the previous batch to ensure a homogenous mix.

Control of the mix

Material blending is controlled by a level sensor mounted in the upper part of the mix chamber to retain accurate mixing. When the sensor is covered, the blender will not dispense any further batches.

Easy set up

Settings are made easily by either user friendly thumbwheels or entering settings directly on the keypad / optional touchscreen.

Password protection

Special functions can be easily accessed and set via the password protect key.



Audible and visual alarms

An audible and visual alarm sounds should a batch be incomplete.

Reporting

Setup and operation reports can be printed direct to a USB key. Alternatively, data is also available via Ethernet or serial ports allowing remote access and monitoring.

Integration

Integration to other control or ERP systems can be made via leading fieldbus or OPC interfaces.

Quick cleanout

A compressed air gun is provided for quick cleanout.

Rapid color change

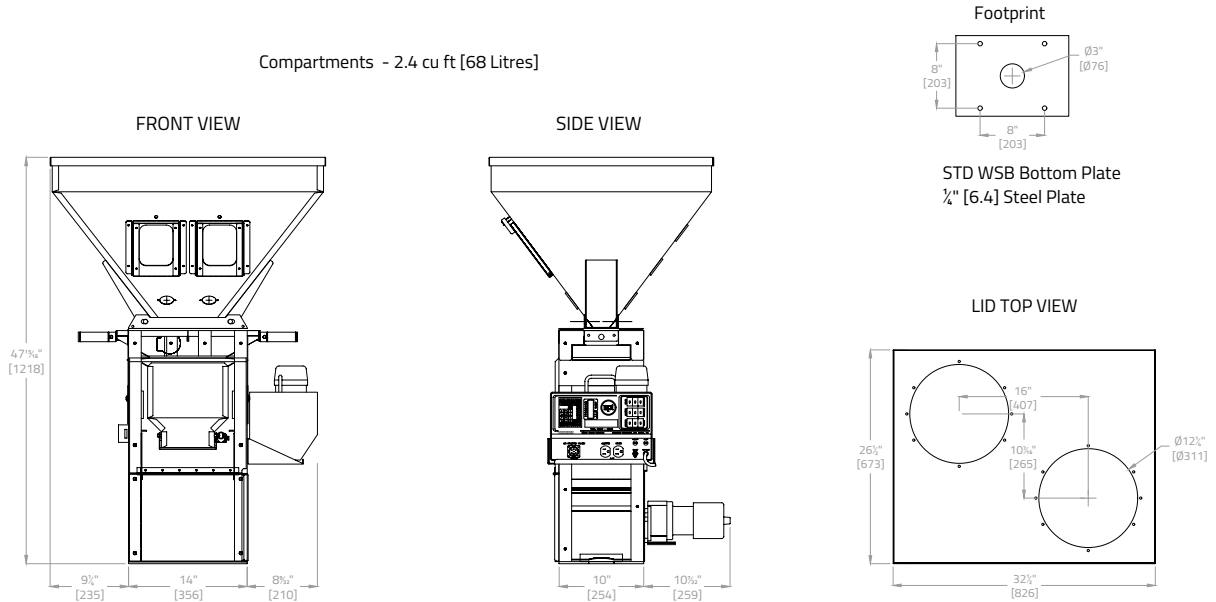
Easy access to all material contact surfaces of the machine including hoppers, weigh bin and mixing chamber allows for rapid color changes without the use of tools.

Controller

The Maguire controller monitors and confirms the weight of each ingredient and comes with an optional touchscreen.



WSB 420 Gravimetric Blender Dimensions



Technical data

Model WSB 420	
Maximum Throughput*	550kg/h to 650kg/h 1,115lb/h to 1,430lb/h
Number of Materials	2
Material Dispense Systems	2-3" Round Slide Gate
Weight	124kg 265lb
Power Supply	120vac - 4.8 Amp 230vac - 2.7 Amp
Operating Air Pressure	4-6 Bar 60-90psi
Air Consumption	0.3 m³/hr 0.17cfm
Shipping Weight	127Kg 280lb
H x W x D	137 x 87 x 80cm 54 x 34 x 31.5in

Key features

- Ideal for large processing machines
- Reduced weight and footprint
- Overall precision of ±0.1% of specified blend
- Compressed air gun for quick cleanout included
- Easy access to all material contact surfaces of the machine including hoppers, weigh bin, and mixing chamber permits rapid colour change without the use of tools
- Proprietary microprocessor-control technology monitors and confirms the weight of each ingredient / touch-screen optional.
- Compensation is made when a variation in dispense weight is detected
- Vibration Weighing management
- Improved documentation capabilities
- 5 Year Warranty



*Throughput achieved is influenced by number of materials, how well they flow, vibration and loading consistency - each can effect maximum output of a blender, which in turn effects sizing the correct blender required for an application.



Maguire reserves the right to cancel product or change product, product specifications and data without notice to improve reliability, function, design or otherwise.

MAGUIRE WORLDWIDE DISTRIBUTION LOCATIONS



Maguire USA

Aston, PA, USA
 T: +1 610 459 4300
 F: +1 610 459 2700
 E: info@maguire.com

Maguire Canada

Ontario, Canada
 T: +1 905 879 1100
 F: +1 905 879 1101
 E: info@maguirecanada.com

Maguire Europe

Staffordshire, UK
 T: +44 1827 338 280
 F: +44 1827 338 285
 E: info@maguire-europe.com

Maguire IMEA

Dubai, UAE
 T: +971 4 881 6700
 E: info@maguire-imea.com

Maguire Asia

Singapore
 T: +65 6848 7117
 F: +65 6542 8577
 E: magasia@maguire-products.com.sg

Maguire China

Shanghai
 T: +86 21 5882 3410
 F: +86 21 5882 3420
 E: amber@maguirechina.com