

Vacuum Receivers for Powders & Dusty Regrind

VRP Series: 12 to 76 lb. (5.5 to 34.5 kg) Capacity*

*Based on 38 lb./ft³ material density

VRP series receivers provide transfer of plastic powders and dusty regrind using centralized vacuum pumps and controls.

NOVATEC VRP Series powder vacuum receivers are extremely effective in conveying dusty regrind and powders like PVC that include blended amounts of titanium dioxide, calcium carbonate, etc. (They are not approved for conveying these additives alone.) The spun bond polyester filter elements are washable, allowing years of use with only simple cleaning and occasional washing and air drying.

Stainless Steel Modular Construction

Stainless steel body provides a scratch-resistant interior with a durable NOVATEC silver painted exterior.

Effectively Loads Powders Down to 1 Micron

Durable PTFE (Teflon coated) spun bond polyester filter elements provide quick release of powders and are washable, allowing years of use – outperforming bag filters, reducing maintenance and increasing process machine uptime.

Easy Access to Interior

Lids are secured by quick-release, no-tools, band clamps for access to filters.

Internal Material Deflector/ Flapper Check Valve with Seal

Deflects incoming material away from the filters and allows the receiver to be used in common material line systems.



VRP-38

Air Evacuation Sub-base

This popular option should be used when the loader is mounted on hoppers or bins that are not already vented and filtered.

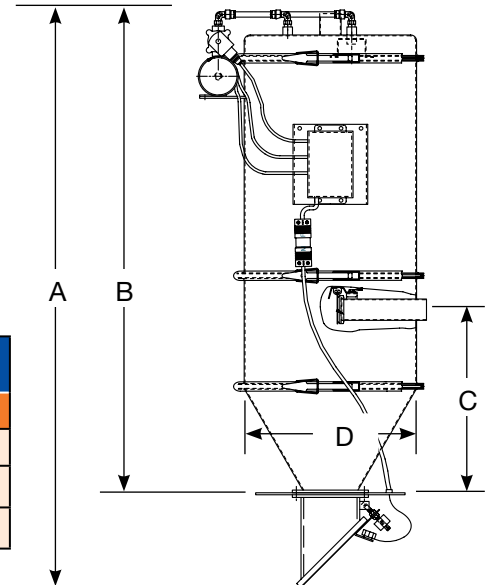
Plus:

- Automatic, pulsed blowback filter cleaning
- Integrated demand switch on discharge flapper
- 24 VDC control voltage
- 2-Year warranty

Specifications:

Overall Dimensions and Weights								
Model	A		B		C		D	
	in.	cm	in.	cm	in.	cm	in.	cm
VRP-12	35	89	28	71	11	28	10	25
VRP-19	39	99	32	81	14	36	10	25
VRP-38	54	137	46	117	17	43	16	41
VRP-76	64	162	56	142	27	69	16	41

Part Number	VRP-12		VRP-19		VRP-38		VRP-76	
Characteristic	U.S.	Metric	U.S.	Metric	U.S.	Metric	U.S.	Metric
Volume	1/3 ft ³	9 liters	1/2 ft ³	14 liters	1.0 ft ³	28 liters	2 ft ³	57 liters
Resin Capacity	12 lb.	6 kg	19 lb.	9 kg	38 lb.	17 kg	76 lb.	34 kg
Discharge Diameter	2 in.	51 mm	2 in.	51mm	5 in.	127mm	5 in.	127mm



Options: No Charge (Show as separate line item on order.)

Alternate Line Size: No Charge				
VRP-12	VRP-19		VRP-38	VRP-76
Line Size	Line Size		Line Size	Line Size
2.5"	2.5"		2.0"	2.0"
(in. lieu of 2.0")	3.0"		3.0"	3.0"
	(in. lieu of 2.0")		(in. lieu of 2.5")	4.0"
				(in. lieu of 2.5")

Alternate Control Voltage: 115/1/60Hz (in lieu of 24 VDC) No Charge (For all models)

Extended Wear Package with Removable Inlet for VR-12, VR-19, VR-38 & VR-76 Models

Includes:

- Ceramic lined removable inlet (1.5 - 3" O.D.)
- Ceramic coated inlet flapper check valve
- Ceramic coated impact wear plate
- SS Discharge flapper

Extended Wear Package for VR-5, VR-114, VR-190 Models

Includes:

- Ceramic coated inlet flapper check valve
- Ceramic coated impact wear plate
- SS Discharge flapper

Accessories: (Shipped separately – Specify as separate line item on order)

Valves & Valve Controls (See price list # 360)

Pulsed Blowback Control: 24 VDC or 115/1/60.

Requires connection to the 24 VDC [or 115 if using 115 volt power at the receiver or loader, plus load signal]

Air Evacuation Sub-base: For VRP-12 through VRP-76.

Notes:

- An optional Air Evacuation Filter Sub-Base should be included if the receiving hopper is not already vented and filtered.
- An optional pulsed blowback control may be added if the loading control is not equipped with blowback capability.
- A proportioning valve option may be easily added to any model to allow proportional loading (by time) of two materials (usually virgin and regrind).
- A vacuum "T" sequencing valve, purchased separately, is required for each receiver when multiples are used in a system.
- Material/vacuum line size and control voltage must be specified.