

VPDB Vacuum Pumps

Vacuum Positive Displacement Pumps: 3-20 hp (2.5kw to 14.9kw)

VPD Series: 25 hp (18.6kw)

VPDB pumps provide powerful vacuum to convey free flowing pellets, powders and regrind in single and multi-receiver systems.

Each vacuum pump is lubricated, tuned to deliver optimum vacuum and shipped fully assembled. An industrial discharge silencer is included.



VPDB-5 with Clear View Cannister and E-Z Oil Drain

Rotary Lobe Blower, Belt Driven by a 3 Phase Motor

Creates deep vacuum for high throughput and/or long distance conveying.

Electronic Motor Overload Protection

Phase loss detection, plus quicker trip speed vs. thermal O.L. provides superior motor protection.

Starter Panel Disconnect

Circuit breaker provides local short circuit protection.

Vacuum Breaker Valve and Clear Canister Safety Filter

These standard components provide trouble free operation and long pump life by minimizing pump starts and internal dust contamination.

New! E-Z Oil Drain

Easy-open valves and single drain point simplify oil changes.

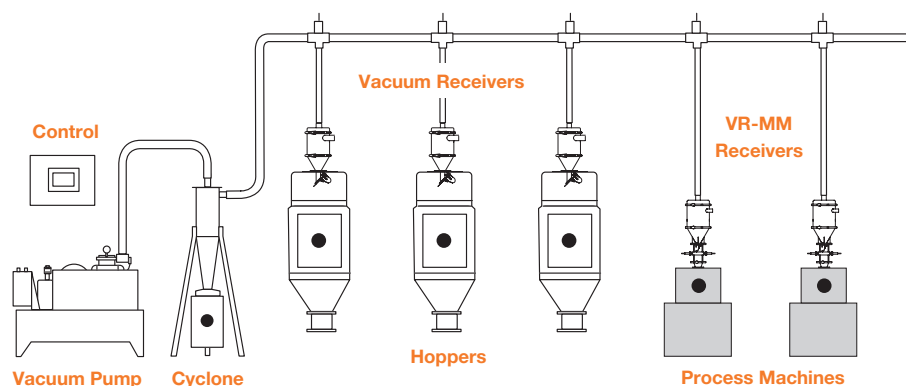


Clear dust cannister shows filter status at a glance



Plus:

- UL, CSA and CE* compatible starter components
- Fully enclosed belt housing
- Vacuum gauge and relief valve
- Standard pump voltage 460/3/60 (400V and 575V optional)
- Standard control voltage 24 VDC (115V optional)
- 1-Year warranty

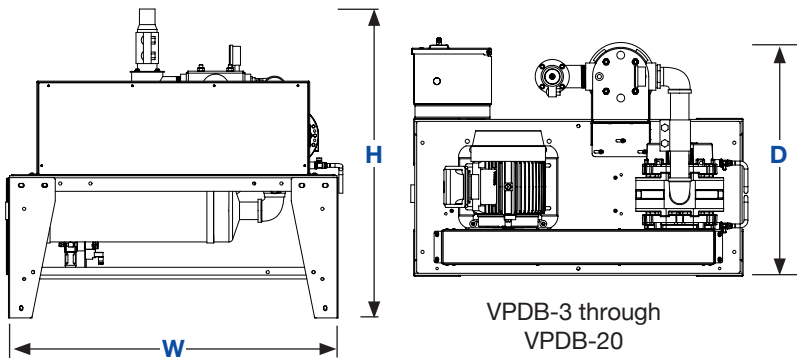


Specifications: (Consult factory for elevations above 3000 feet.)

Model Number	VPDB-3	VPDB-5	VPDB-75	VPDB-10	VPDB-10/3	VPDB-15	VPDB-20*
Pump power	3 hp	5 hp	7.5 hp	10 hp	10 hp	15 hp	20 hp
Inlet O.D.	1.5"	2"	2.5	2.5"	3	3"	4"
Air Volume	55 cfm	100 cfm	155 cfm	170 cfm	235 cfm	250 cfm	470 cfm
Vacuum Relief	12 hg	12.5 hg	12.5 hg	12.5 hg	12.5 hg	12.5 hg	12.5 hg
Width	42.6"	42.6"	52"	44"	44"	56.5"	50.1"
Depth	30.6"	30.6"	30.3"	30.6"	33.5"	37.2"	38.3"
Height	42.8"	39.6"	40.5"	37"	45.7"	45.7 "	53.5"
Shipping Weight	350 lb.	425 lb.	588 lb.	610 lb.	610 lb.	770 lb.	815 lb.

Standard Control Voltage: 24 VDC Standard motor voltage 460/3/60

* VPD 25hp pump available upon request - contact factory



Basic Package Includes: Pump with Starter Plus Disconnect
(Power Isolation Switch, Contactor,
Electronic Motor Overload, Circuit Breaker)

Options: (Separate line item on order. See price list 320)

Alternate Control Voltages: 115/1/60 VAC (No Charge)

Alternate Power Voltages: 460/3/60 (Standard)

575/3/60 (No charge) - *Includes Fused Disconnect with Thermal Motor Overload Protection*

400/3/50 (No charge)

DeviceNet Cable(s) for Pump: In lieu of standard cable(s) (Available in 24 VDC only)

Accessories: (Separate line item on order and shipped separately. See price list 361)

Sound Curtain Kit: 3–20 hp



Optional Sound Curtain Kit
Greatly reduces pump noise
and allows easy access

DSV Discharge Selection Valve for Dry Air Conveying:

EPV valve with connection stub to pump for 115 VAC or 24 VDC for line diameters of 1.5", 2", 2.5", 3" and 4".



DSV Discharge Selection Valve

DeviceNet Cable for DSV: (in lieu of standard cables -24VDC only)

CLR Closed Loop Valve with Relief Vent:

Provides pressure relief in a closed loop conveying system for line diameters of 1.5", 2", 2.5", 3".



CLR Closed Loop Valve with Relief Vent