

VLP Vacuum Loaders

1.5 to 38 lb. (2.2 to 17 kg) Capacity*

*Based on 38 lb/ft³ material density

VLP loaders provide self-contained vacuum transfer of plastic powders and dusty regrind over moderate distances.

These loaders are extremely effective in conveying dusty regrind and powders like PVC that include blended amounts of titanium dioxide, calcium carbonate, etc. *(They are not approved for conveying these additives alone.)*

Stainless Steel Modular Construction

Stainless steel body provides a scratch-resistant exterior and interior.

Effectively Loads Powders Down to 1 Micron

Durable PTFE coated spun bond polyester filter elements provide quick release of powders

Washable Filter Elements

Simple cleaning and occasional washing and air drying provides years of use – better than bag filters.

Easy Access to Interior

Lids are secured by quick-release, no-tools, band clamps for access to filters.

Internal Material Deflector/ Flapper Check Valve with Seal

Ensures that blowback does not travel down the material line.

Remote Mount Mini PLC Control

Can be mounted up to 10' (3.6M) away.

"No-Load" Alarm and Silence Button

Identifies empty loaders more quickly.



Air Evacuation Sub-base

This popular option should be used when the loader is mounted on hoppers or bins that are not already vented and filtered.

Plus:

- Automatic, pulsed blowback filter cleaning with accumulator tank
- 15' (4.5m) flex hose, clamps and 1.5" pickup wand included
- 115/1/50-60 operation (230/1/50 optional)
- 2-Year warranty

Many Additional Features Not Found on Other Loaders!

VLP-12 Powder Vacuum Loader

- 1 Reliable single phase motor.
- 2 Compressed air blowback after every loading cycle automatically provides complete, effective cleaning of PTF filter(s) .
- 3 Accumulator tank with compressed air filter, assures compressed air for filter blowback.
- 4 Heavy duty stainless steel construction.
- 5 Stainless steel band clamp with safety latch provides easy access (requires no tools).
- 6 Tangential 1.5" (3.8cm) inlet with articulated flapper minimizes material degradation.
- 7 Gasket between modular sections protects against loss of vacuum.
- 8 Hopper mounting flange.
- 9 Heavy duty full flow dump throat speeds operation.
- 10 Reliable "material-demand" switch located on discharge gate provides "Loader On" signal to controller.
- 11 Discharge gate is counter balanced to automatically return to closed position after resin evacuates the vacuum loader.
- 12 Custom molded neoprene gasket on dump throat assures tight seal and no loss of vacuum. Unique design keeps resin from contacting gasket surface.



Internal material deflector/flapper check valve with seal ensures that blowback does not travel down the material line.

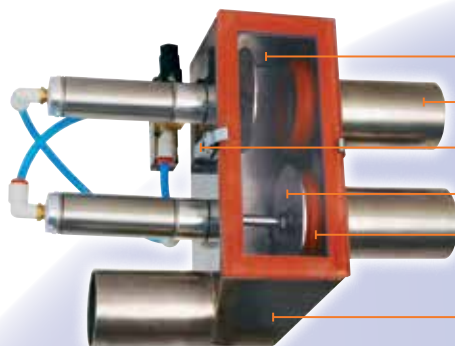


PTFE 1-micron filters are easily accessible. There are three filters in the VLP-38 and the VLP-12 and one in the VLP-5.

Popular Accessories for Vacuum Loaders

External proportioning valve provides proportioning/layering of materials for VL Loaders when used with Mini PLC Control.

See separate data sheet.



- Polycarbonate access window
- Inlet/outlet diameter 1.5"
- Quick-release latches
- Stainless steel disc/seat
- Molded V-tip ring gaskets are flange mounted - out of material flow
- Stainless steel body with unique design creates turbulent flow to clear material

Mini-PLC Control Controls All Loading Functions



No-load alarm horn and silencer button

No-Load Alarm Standard!

- This 115 VAC plug and play control can be conveniently located at operator level. (220/1/50 VAC Optional)
- Selection, programming, and editing of loader parameters are accomplished through a user-friendly interface.
- The graphic faceplate displays parameter, value codes and provides step-by-step programming instructions.
- The control receives a load-initiating signal from a dump throat mounted demand switch.
- Control can be programmed to convey one material up to 99 seconds, or proportion two materials in multiple layers when used with an external proportioning valve.

Inlet diameter: 1.5" (40 mm O.D.)
 Pulse Duration: 500 milliseconds
 Total Pulses: Adjustable
 Air Service: 80 PSI (5.5 bars) required

Specifications:

Model	VLP-5 & VLP-5-MM		VLP-12 & VLP-12-MM		VLP-19 & VLP-19-MM		VLP-38 & VLP-38-MM	
	U.S.	Metric	U.S.	Metric	U.S.	Metric	U.S.	Metric
Volume	1/25 ft. ³	1.1 liters	1/3 ft. ³	9 liters	1/2 ft. ³	14 liters	1.0 ft. ³	28 liters
Resin Capacity*	1.5 lb.	0.7 kg	12 lb.	6 kg	19 lb.	9 kg	38 lb.	17 kg
Inlet/Dump Throat OD	1.5 / 2 in.	38 / 50 mm	1.5 / 2 in..	38 / 50 mm	2 / 2 in.	50/50mm	2.25 / 5 in.	567/571mm
**Recommended Throughput / hr. (Brush Type Motor)	75 lb.	34 kg	200 lb.	91 kg	250 lb.	114 kg	325 lb.	148 kg
**Recommended Throughput / hr. (Brushless Motor)	N/A	N/A	325 lb.	148 kg	500 lb.	227 kg	600 lb.	273 kg
Load Time: (seconds)	up to 99		up to 99		up to 99		up to 99	
Dump Time: (seconds)	up to 99		up to 99		up to 99		up to 99	
Amps @115V	8		13		13		13	
Compressed Air Usage .2 CFM (5.66 liters/min.)	All Models							

* Resin capacity and throughput based on 38 lb./ft³ bulk density. Adding external proportioning valve reduces throughput.

** Recommended throughput/hr. based on free flowing virgin pellets through 15' of flex hose. Exceeding recommended throughputs may result in shortened brush and filter life however, increased throughputs are possible depending on resin and equivalent feet calculation. Generally, a central conveying system should be used for higher throughputs.

Maximum conveying distance in addition to 15' flex hose, can include 30' of horizontal tubing and 1 elbow. Additional vertical travel, bends or flex hose will reduce recommended throughput.

Specifications:

Overall Dimensions and Weights (Standard Dump Throat Models)										
Model	A		B		C		D		Shipping Wgt.	
	in.	cm	in.	cm	in.	cm	in.	cm	lb.	kg
VLP-5	30	76	27	69	9	23	6	15	80	36
VLP-12	40	102	35	89	11	28	10	25	120	55
VLP-19	51	130	45	114	16	41	10	25	140	64
VLP-38	61	155	52	132	17	43	16	41	220	100

Machine Mount Model Dimensions

- *2 lb. Glass: Add 3" to "A" above
- 8 lb. Glass: Add 3.7" to "A" above
- 12 lb. Glass: Add 7.7" to "A" above
- 16 lb. Glass: Add 10.7" to "A" above
- *VLP-5-MM available with 2 lb. glass only

Options: (Show as separate line item. See price list #303).

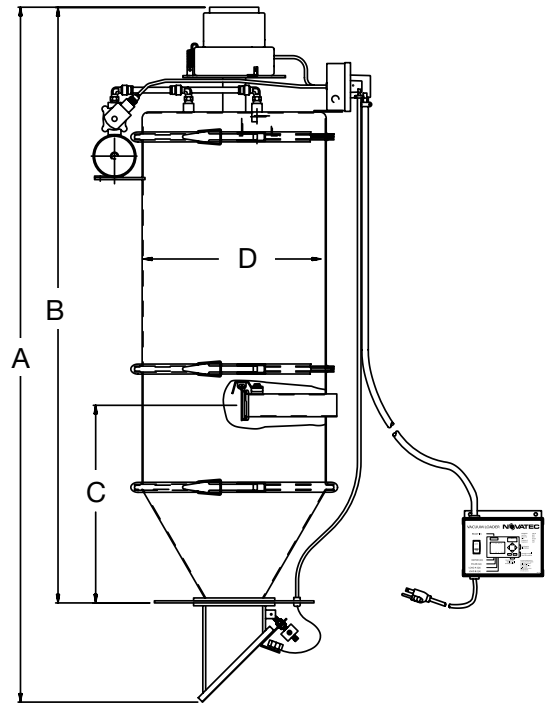
- Alternate Voltage: 230/1/50 in lieu of 115/1/50-60.
- Must Specify Glass Hopper Size for All -MM Models: (See P/L #300)
- For VLP-5-MM: 2 lb. Glass only (No Charge).
- For VLP-12-MM: through VLP-38-MM: 2, 8, 12 or 16 lb. Glass.
- Brushless Motor (115 VAC): For VLP-12, -19, and -38 (including -MM)

Custom Options:

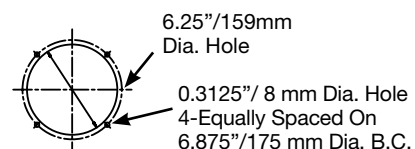
- Pneumatic Discharge Slide Gate Choice of Components for Wear Resistance: Thick-wall wear plates, Electroless nickle plating and Ceramic coatings.

Accessories: (Separate line item & shipped separately. See price list #303)

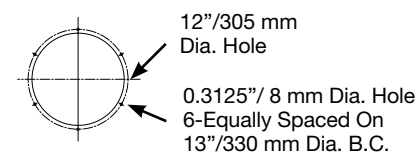
- Air-evacuation filter sub-base
- Remote Demand Sensor for Grinder Drawer 115 VAC
- External Proportioning Valve: (Includes coupler, 15' of hose, clamps and pickup wand)
- Alternate Glass Hopper for Existing VLP-12-MM, VLP-19-MM and VLP-38-MM: (In lieu of 2 lb.)
- Field Conversion Kit Includes Base, Top Adapter Plate, Discharge Valve and 8, 12 or 16 lb. Glass.



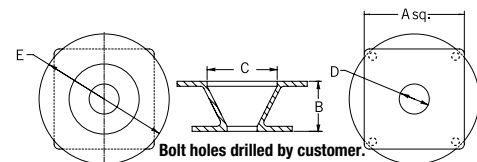
VLP-5, VLP-12 & VLP-19 Mounting Pattern



VLP-38 Mounting Pattern



Machine Mount Adapter (Included with MM models)



Machine Mount Adapter Dimensions

Model	Glass Size lb./kg	A		B		C		D		E	
		in.	cm	in.	cm	in.	cm	in.	cm	in.	cm
VL-(5,12, 19 & 38)-MM	2/9	6.5	16.5	2.5	6.35	3.5	8.9	2.25	5.7	6.5	16.5
VR-MM-8, -12, -16***	Varies	6	15.2	5.7	14.5	8	20.3	2	5.1	10	25.4

- ** Optional 2 lb. Glass Adapter Dimensions
- *** Optional Large Glass Adapter Dimensions